



MAGICPANEL-602 CONTINUOUS, UNLIMITED PAN & TILT ROTATION

Firstborn in a family based on the use of continuous rotation, MAGICPANEL™602 is a modular LED luminaire allowing for a broad range of diverse visual effects. Equipped with continuous unlimited PAN & TILT rotation, it is able to display media thank to its ArtNet input/output or to be controlled via DMX RDM protocol through its XLR connectors.

The display is made up of 36 15 Watt LED RGBW modules fitted with high-output 7,5° 45-mm optics, the unit runs on a sophisticated and particularly quiet cooling system and offers an overall luminous flux in excess of 14.000 lumen for a consumption of 600 Watt.

A dazzling projector

This new luminaire integrates the new 4G AYRTON technology that allows the individual control of each LED source in expanded FULL COLOR mode (RGBW). MAGICPANEL 602 offers the option to display numbers, letters, graphic effects or images, but it is also a fabulous lighting projector which can also be used as a dazzling projector. The MAGICPANEL 602 can be used in groups to create rotating screens on the two axes and produce completely novel effects.





TECHNICAL SPECIFICATIONS

OPTICS

Beam aperture: 7.5°
85% optic efficiency
High efficiency 45mm PMMA optics

LIGHT SOURCE

36 Multi-chip 15 Watt LED sources
Light output: up to 14.000 lumen
Luminous intensity: 650.000 cd
Rated Sources life: up to 50.000 hours
Flicker free sources Management, suitable for TV applications and all video recorded events

MOVEMENT

Continuous PAN and TLT rotation
Extremely accurate positioning
Moving head operated via either 8 or 16 bit resolution
High resolution stepper motors operated via microprocessors ensure extreme accuracy and smooth movements
PAN and TLT automatic repositioning

COLOURS

Sophisticated 4 colours RGBW mixed, reaching high Colour Rendering Index
Uniform light beam with no colour shadows, and rich saturated and pastel colour hues
4,29 billion colours (8 bit resolution)
Virtual Colour Wheel, including most usual
White Colour Temperature Presets
Dynamic Colour Macro Effect with variable speed

DIMMER / STROBE

Electronic dimmer, allowing perfect light adjustment from 0 to 100% without colour variation
White or colour strobe effect, with speed adjustment from 1 to 25 flashes per second

SOFTWARE FACILITIES

Local DMX Addressing of the luminaire and its optional parameters through its built in LCD panel control
Remote DMX Addressing of the luminaire and its optional parameters through a standard RDM DMX controller
Built in Pattern Effects with Speed and Fade controls for scenic applications
Information Menu including Hour counter, Temperature, Software version

HARDWARE FACILITIES

Graphic LED Display for addressing and special functions settings, with flip function
6 menu buttons to set the functions
Over temperature protection
XLR 5 pin male and female connectors for DMX connections
Ethernet RJ45 IN / DLIT connectors for ArtNet connection

CONTROL

DMX 512 protocol, through DMX cable or wireless system
Stand alone Mode and Master/Slave Modes
DMX RDM compatible
Integrated LumenRadio's wireless CRMX RDM receiver
Local control panel, with LCD display and 6 buttons
DMX 512 Input / Output through XLR5 connectors
ArtNet protocol through RJ45 connectors
Choice of 3 DMX Modes (from 18 to 160 DMX channels)

POWER SUPPLY

Electronic supply with active PFC
110 to 240 Volts - 50/60Hz
Power: 600 Watt max
Power supply input / Output through IP65 powerCON TRUE1 connectors

COOLING SYSTEM

Advanced cooling system
Self adjusting variable speed fans for quiet operation (Fan Auto Mode)
Selectable ventilation User's Modes
Safety protection against temperatures excesses

HOUSING

Moving Head skeleton made of Aluminium and Steel metal plates
Heatsinks in aluminium, satin finish
Moulded covers in Self extinguishing fire retardant ABS PC (V0 class)
Two sides handles for transportation
Four strong wide feet for better stability
IP20 protection rating
Exterior finish: black (Carbon)

INSTALLATION

Fastening brackets system: two Omega 1/4 turn brackets designed for use with standard clamps
Mounting points: four 1/4 turn locking fittings allowing two different installation of omega brackets on projector
Safety cable attachment point

OPERATING PARAMETERS

Operating positions: all (device on floor or fixed to a support)
Maximum permitted ambient temperature (Ta max): 45°C (113°F)
Minimum permitted ambient temperature (Ta min): -10°C (14°F)
Minimum usage distance: 0.2 m (8 inches)

COMPLIANCE

EU (EMC):
EN 55015 (2006) - EN 55015 A2 (2009)
EN 61547 (2009) - EN 61000 3-2 (2006)
EN 61000 3-2 A2 (2009) - EN 61000 3-3 (2008)
EU (LVD):
EN 60598-1 (2008) - EN 60598-2-17 (1989)
EN 60598-2-17 A2 (1991)

SIZE

Product: 420 x 545 x 305 mm (l x h x d)
Flight case Foam: 510 x 560 x 370 mm (l x h x d)

WEIGHT

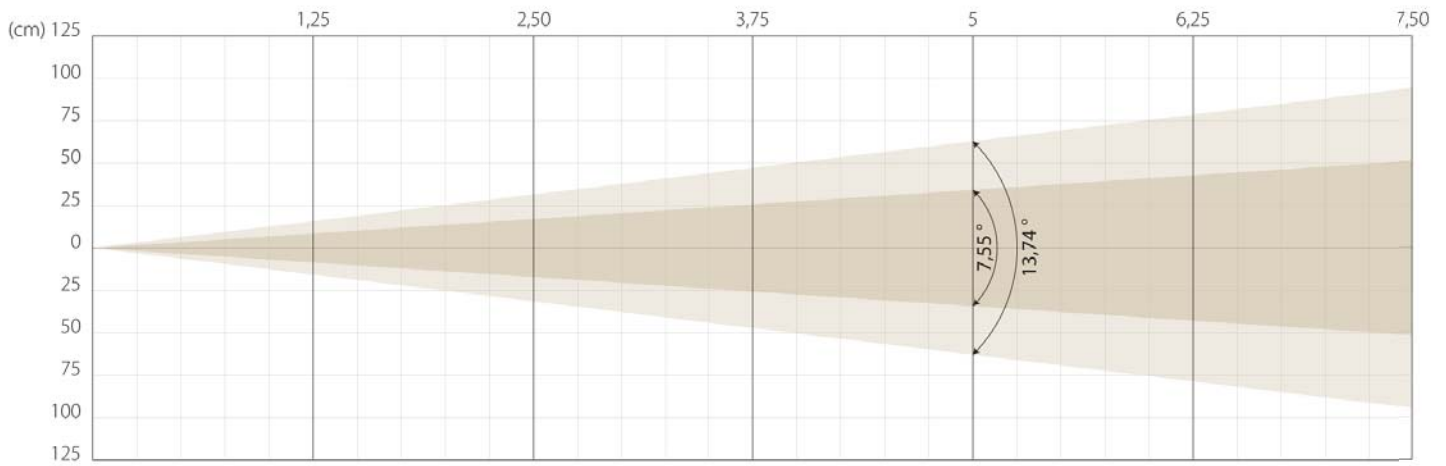
Product: 18,9 KG

PRODUCT CODES

015550 : MAGIC PANEL AUTOMATED LUMINAIRE

7,5° BEAM ANGLE

Beam opening

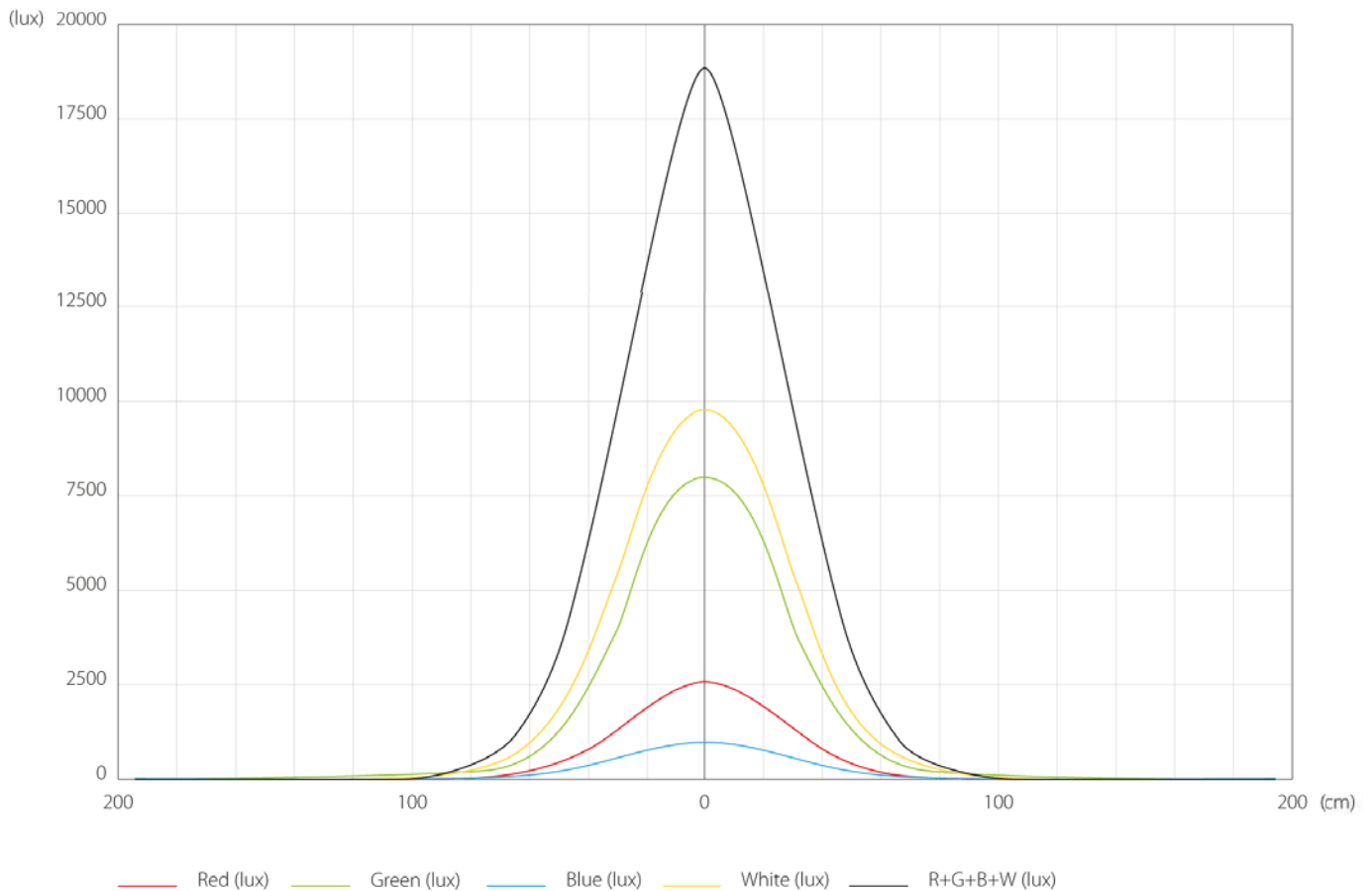


Diameter 1/2 peak (m) 0,66
Diameter 1/10 peak (m) 1,205

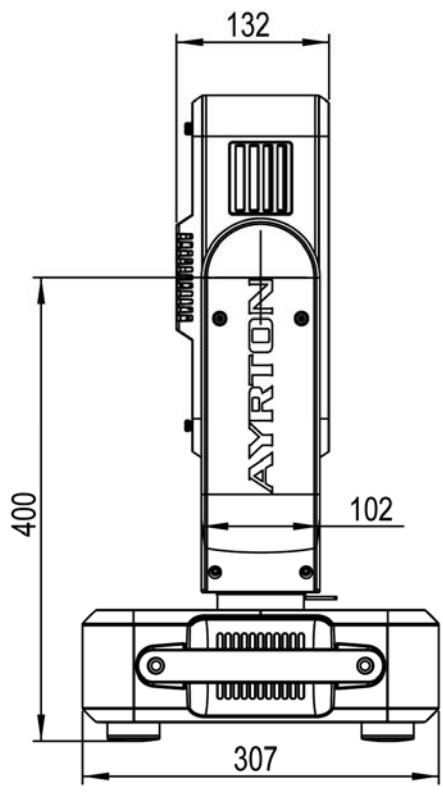
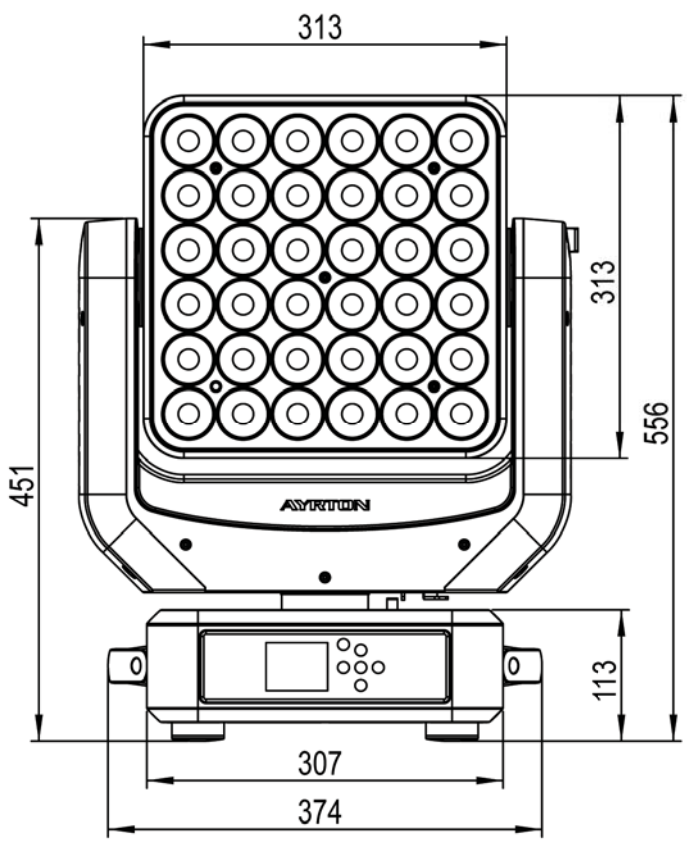
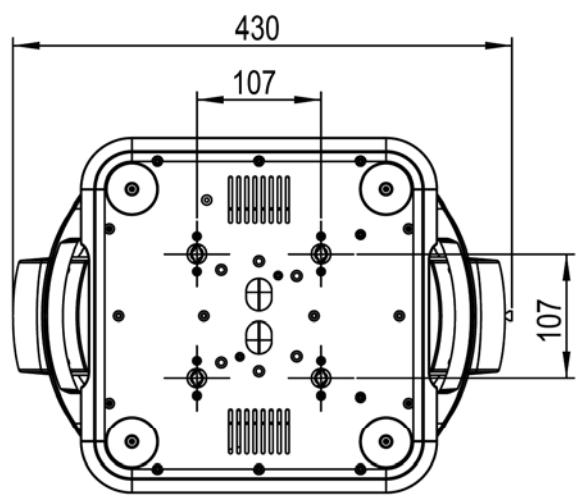
Intensity

Distance (m)	2,5		5		7,5		10		12,5		15	
	lux	FT CD	lux	FT CD	lux	FT CD	lux	FT CD	lux	FT CD	lux	FT CD
Red	10540	979	2635	245	1171	109	659	61	422	39	293	27
Green	32180	2990	8045	747	3576	332	2011	187	1287	120	894	83
Blue	3880	360	970	90	431	40	243	23	155	14	108	10
White	39400	3660	9850	915	4378	407	2463	229	1576	146	1094	102
R+G+B+W	76000	7060	19000	1765	8444	784	4750	441	3040	282	2111	196

Illuminance distribution (5m)



Dimension tolerance (millimetre)	Version
± 5	2.0



B	03-Sep-14	SW			
A	16-May-14	SW	CREATION		
Indice	Date	Created by	Modification :	Approved on	Approved by

Logiciel :	Observation : -				
Project : A62		Project Name : MAGICPANEL 602		Code: 015550	

A4	MAGICPANEL 602 LUMINAIRE	Scale: 3/20	
		Material:	